



**Leisure Travel**  
**Motor Homes**  
*Owner's Manual*

A guide to  
operating the  
features of your  
luxurious motor home

# Contents

Greetings .....	3
Camping Preparation.....	3
Getting In & Out .....	3
Side entrance - Double Doors .....	3
Captain's seats from within coach .....	3
Adjusting Captain's Seats .....	3
Driver's seat .....	4
Passenger seat .....	4
Converting captain's seats into beds .....	4
Under Seat Storage .....	5
Front Dinette Table .....	6
Pedestals .....	6
Setting Up .....	6
Propane Tank.....	6
Releasing overfilled liquid propane .....	6
Appliances .....	7
Propane 2-burner stove .....	7
No range hood vent .....	7
Fantastic Fan .....	7
Furnace .....	7
Air conditioner .....	8
Outdoor cooking package.....	8
Refrigerator .....	8
Refrigerator compartment.....	8
Electrical Appliances .....	9
TV / Recorder connections.....	9
Sound package .....	9
Coffee maker .....	9
Microwave oven.....	9
Water & Sewer .....	9
Hot water heater & switch.....	9
Water pump.....	10
Water filter .....	10
Toilet.....	10
Space saver .....	10
Holding tank .....	10
Dumping your waste .....	10
Compact functional shower.....	11
Freedom Lifestyle .....	11
Freedom wide body .....	11
The camping lifestyle .....	11
Leisure Travel Club .....	11
Coach easily kept clean .....	11
Four Seater Rear Sofa .....	11
The rear sofa .....	12
Table setup .....	12
Clothes closet .....	12
Dish, cup and cutlery holder.....	13
Setting up the table & bed.....	14

Three-Seater .....	14
Toilet compartment vanity sink .....	14
Twin Bed .....	15
Pantry, wardrobe, & washroom .....	15
Exterior Features .....	16
Optional exterior shower .....	16
Rear right storage compartment .....	16
Utility centre hook-up compartment .....	16
Rear left storage compartment .....	16
Generator .....	16
Battery compartment .....	17
Propane bottle compartment .....	18
Miscellaneous exterior features .....	18
One piece fibreglass running boards .....	18
Automatic power transfer switch .....	18
Protection & Handling .....	18
Handling & safety package .....	18
Optional safety features .....	18
Electrical System .....	19
Battery isolator .....	19
Front Battery .....	19
AM/FM/Cassette .....	19
TV/VCR .....	19
TV antenna .....	19
TV cable switch .....	19
Lighting .....	19
Front courtesy lights .....	19
Interior lights defeat feature .....	19
Headlights and Parking Lights .....	20
Exterior Lights .....	20
Daytime Running Lights .....	20
Multi-Function Control Lever .....	20
Turn signals .....	20
Headlight dimmer switch .....	20
Passing light .....	20
Lights-on reminder .....	20
Power converter .....	20
Converter Maintenance .....	20
Inverter (optional) .....	21
How To Use Inverter .....	21
Fibreglass Roof and Running Boards .....	22
Roof racks .....	22
Pin striping .....	22
Winterizing The Water System .....	22
Using Your Motor Home In Below Zero Temperatures .....	23
Winter Driving .....	23
About Your Dodge Van .....	23
Monitor Panel .....	23
Systems monitor .....	23
Optional Equipment .....	24
Rear air conditioning .....	24
Screen package .....	24
Microwave oven .....	24

Sound package .....	24
Awning .....	24
Adder room .....	24
Standard Equipment .....	24
Smoke detector .....	24
Fire Extinguisher .....	25
Precautions - LP Gas .....	25
Appliances .....	25
Winter Storage .....	25
Inside your motor home .....	25
Outside your motor home .....	26
Spring start up .....	26
Warranty .....	26
Conditions .....	26
Owner Responsibility .....	27
Consumer Information For Recreational Vehicle Owners .....	27
Instructions for appliances .....	27
Owner's manual .....	28

# Leisure Travel Vans Ltd.

P.O. Box 189  
Gretna, MB  
Canada R0G 0V0

Box 158  
Neché, North Dakota  
USA 58265

Phone: 204-327-5871 Fax: 204-327-6671

## **Congratulations!**

You have just purchased the BEST mini motor home in its class.

## ***Welcome to the World of Leisure Travel***

When you consider quality and comfort — we at Leisure Travel Motor Homes don't compromise! Over 20 years we've made a genuine effort to consult with our Motor Home customers. Thanks in large part to their input, we've made alterations, added features, included suggestions... and now we assure you that this is truly the leisure travel vehicle you want and deserve.

## **As the owner of a Leisure Travel Motor Home:**

- We encourage you to make suggestions on how we can improve our product, no matter how small or large your ideas may be.
- If you have any problem, be it a Chrysler part or any other component, please contact us directly by telephone or fax. Tell us about any problem or shortcoming, or the overall workmanship. Because we built it, we have the know-how and the expertise to advise you on how this problem can be fixed.
- You can call 204-327-5871 or Fax us at 204-327-6671
- Ask for Customer Service.

Founder and President,



Reg Harder

## Greetings

**H**i. I'm Reg Harder, president of Leisure Travel Vans Ltd. I congratulate you for buying the best motor home in its class. This manual shows you how to use all the features and components. If you study this manual and the video that accompanies it, you will enjoy the camping lifestyle at its best.

*Our goal and mission at Leisure Travel Vans is for you to own the best product that money can buy. That goal makes you and us a winning team.*

*We have spent nearly 20 years designing, researching and building floor plans and components to give you the best Class B Motor Home built today.*

*This manual will help you understand all the features and components of your motor home. How to use it, fix it and how to make your life even more enjoyable.*

*We are proud of our product and we want you to be proud of it too. If you like it, you'll enjoy using it and you will become our best sales people. You must be totally comfortable and happy with your Dream Motor Home.*

## Camping Preparation

Before you even begin to think of taking an extended camping trip, get to know your motor home, its components, features, appliances and limitations. Take some time to read and study this manual and all its components.

The instructional video shows you how to use, set up, store and arrange all the features that make your motor home so enjoyable to use.

Preparation is the key to an enjoyable and successful camping trip. Your motor home really gives you the freedom to do what you want, where you want and when.

According to Reg: "God has given us a wonderful world. Take your motor home and travel coast-to-coast, border-to-border, in total comfort, with freedom, luxury and economy."

There isn't another RV anywhere of any description that can confidently report a 98% customer

satisfaction rating. The time you spend getting to know your motor home will certainly go a long way in making you totally satisfied with your purchase.

## Getting In & Out

There are two main entry and exit points:

- Driver and passenger doors
- Double doors on the side.

How you enter may well set the tone for the day. Head aches and bruises, if you're not careful, tend to dampen activities. Much planning has gone into making getting in and out as easy as possible.

### Side entrance - Double Doors

Place your right foot up against the beam (which is partially cut out to make it easier), lean forward, grab the handle and lift yourself up into the coach. When you're ready to leave the coach by the same entrance, make sure you're facing the inside of the coach, place your right foot on same location, and back out and down.

### Captain's seats from within coach

Once inside the coach, getting into the driver's seat can be done only one way, without causality.

Our engineers designed the roof with exactly enough room between the TV and each side of the coach. With the seat moved back, move towards this opening, lower your head and slide into seat. Then position seat for your own comfort.

When ready to get back out, move seat all the way back, keep head down and back out. Doing it this way will keep you bruise free. The same thing holds true for the passenger side.

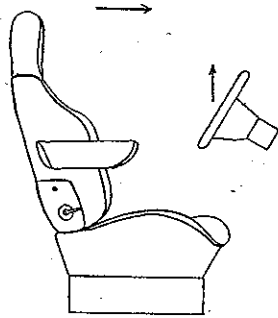
## Adjusting Captain's Seats

The front captain's seats are designed to slide back and forth, swivel in any direction and to recline. Learning how to enter, swivel and setup for any occasion makes for a happy start.

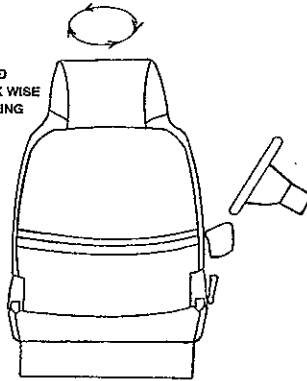
### Driver's seat

Slide the seat all the way back. Tilt back rest forward, release the swivel lever and swing seat around toward the door, in a counter-clockwise direction.

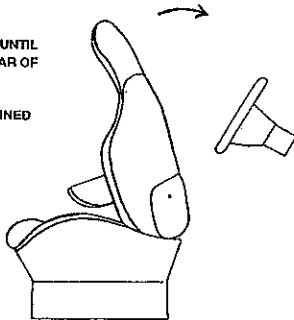
1. TILT STEERING WHEEL UP
2. SLIDE SEAT FORWARD APPROX. 1/2 WAY USING SLIDER LEVER
3. SEAT BELT RECEPTACLE ON THE RIGHT PUSHED ALL THE WAY DOWN
4. TILT SEAT FORWARD USING LUMBAR CONTROL LEVER ON THE RIGHT JUST BELOW THE ARM REST. ARM REST MUST BE IN THE DOWN POSITION



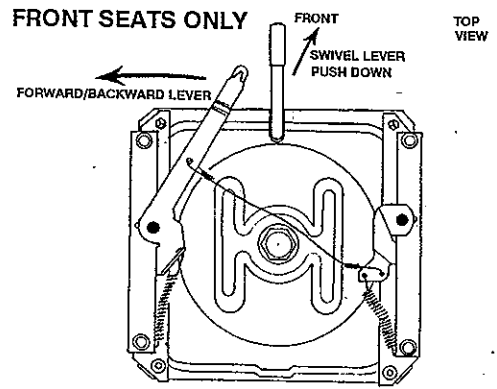
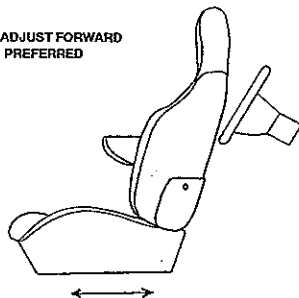
5. PUSH SWIVEL LEVER DOWN AND ROTATE SEAT COUNTER CLOCK WISE TO THE LEFT, EVENTUALLY FACING THE REAR OF THE COACH



6. CONTINUE TO ROTATE CHAIR UNTIL THE CHAIR IS FACING THE REAR OF THE COACH
7. TILT CHAIR TO DESIRED RECLINED POSITION



8. USE SLIDER LEVER TO ADJUST FORWARD OR BACKWARD GIVING PREFERRED LEG ROOM



### Passenger seat

On the passenger side, slide the seat all the way back. Make sure your seat belts are out of the way. Push the swivel lever and swing the seat in any direction.

When in a visiting position, the slide lever is on the left side of seat and seat may be adjusted forward or backward to give the desired leg room.

When ready to drive the vehicle, swivel seat into the forward position and make sure the seat belts are also in the correct position. Place the shoulder belt behind the arm rest with arm rest in either up or down position. The front part of the belt with lock should rest over the front of the seat. When seated take seat belt over your shoulder and lock into place.

If you require easy exit, the swivel mechanism can be unlocked, thus providing easier passage.

**IMPORTANT: DO NOT SWIVEL SEATS WHEN VEHICLE IS IN MOTION.**

### Converting captain's seats into beds

#### Front Seats

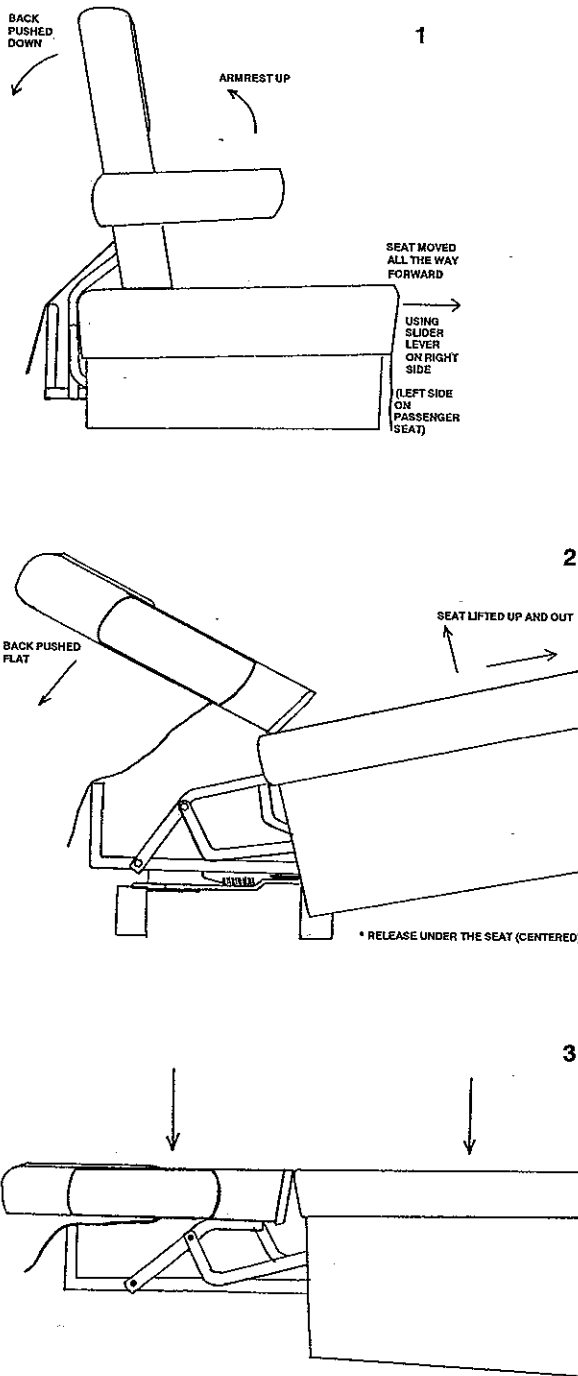
While sitting in the driver's seat, pull front curtains from both sides and Velcro together in the middle. This gives you your basic privacy. Next, flip the

steering wheel up and move seat forward.

With the driver's seat in normal position, move the seat back and swivel it counter clockwise half a turn and flip up the armrest.

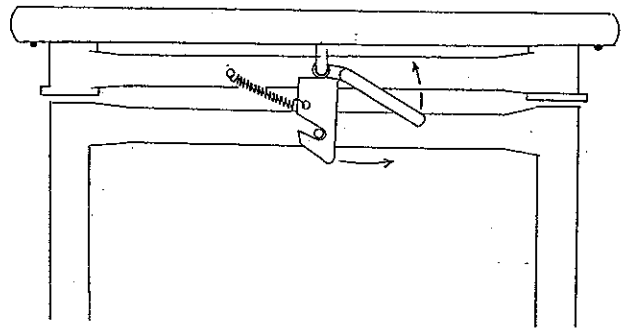
**Rear Passenger Seats**

Slide the left rear passenger seat forward. Grab the lock at the front of the seat, fold the back down and here is a bed. Do the same for the rear passenger seat on the right and you have two made up beds.



FRONT VIEW OF THE REAR SEAT/ LATCH  
ALLOWS SEAT TO BE MADE INTO A BED  
3 & 4 SLEEPER ONLY REAR SEATS

4

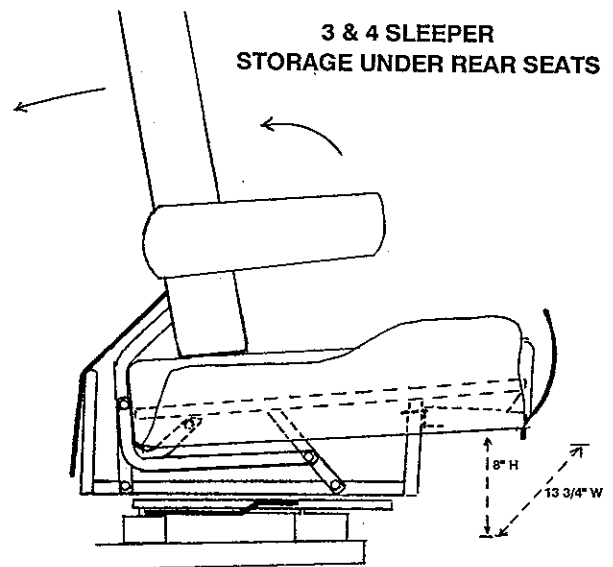


**Uni-Lounge**

The seat on the right doubles as a uni-lounge. Recline the front seat and you can relax, read a book, or open the closet door and watch TV through the mirror.

**Under Seat Storage**

Your cupboard and on-board storage space is less with a four-seat model. We suggest purchasing plastic containers that fit underneath the rear chairs. Store your regular camping items in these containers at all times — items for inside use in one container and items for use outside in a separate container.



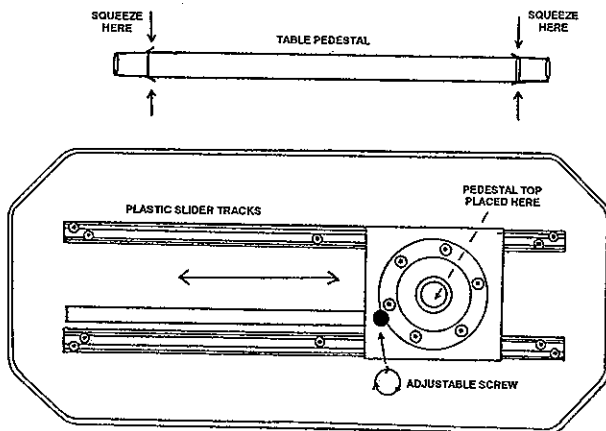


## Front Dinette Table

### Pedestals

The pedestals are held in place with a tie-back strap as follows: a) twin bed model — in the toilet closet on the right of the toilet. b) 3 sleeper — in the clothes closet on the passenger's side. c) 4 sleeper — in the driver's side closet on the left side wall. Always store in the same place when not using the dinette table.

### ALL DINETTE TABLES — VARIOUS STYLES & SIZES



### Setting Up

Setting up is easy. Take pedestal and place in base on floor, pushing down and locking it in place. Take the dinette table top from its storage and place on top of pedestal. The table top base is adjustable and can be tightened to stay in place.

When taking down, remove table top from pedestal and place in storage. Squeeze the locks on the bottom of pedestal and remove easily and also put in storage.

### CAUTION

Use front dinette table only when parked. Otherwise, should the vehicle come to a sudden stop, a person sitting in the chair behind the table using seat belts could hit his head on the table, and injury could occur.

## Propane Tank

- The 32-LB. propane tank is mounted under the chassis, behind the driver's door and held in place by four 3/8" locking nuts. The tank can

easily be removed for replacement or service.

- To fill the propane tank, go to a propane depot and let them fill it.
- It is highly recommended that the main valve of the tank be closed when vehicle is in motion.
- A gauge is provided in the monitor panel to indicate the amount of propane in the tank. There is also an indicator on the tank.

### IMPORTANT

It is important to get a **QUALIFIED** person to fill your propane tank. Propane tank valve should be in off position. Remind the person who fills the propane tank, **NOT** to overfill it. If the propane tank is overfilled, there is a chance of the liquid propane running into your regulator. The result of overfilling is appliances that will not function properly. The liquid from overfilling accumulates in the regulator and in the low pressure copper tubing which flows to your appliances. This restricts the gas flow (pressurized gas) that goes to your appliances. It is recommended that you wear rubber gloves to remove liquid and don't get it on your clothes as it is very smelly. Dispose of liquid on the ground.

### Releasing overfilled liquid propane

To release excess liquid propane, loosen the nut at the bottom of the regulator, located underneath motor home behind the propane tank. This will allow the few drops of liquid propane to fall to the ground. Turn propane tank valve on for a second, then OFF. This will expel any other liquid that might be trapped in the regulator. Allow to sit for 15 minutes — giving it time to drop out. Tighten nut. 13/16" wrench size is required. Be sure to test for leaks by opening propane valve to pressurize the line. Spray soapy water on the fittings. If there are no bubbles all is well. If there are bubbles, there is a leak. Re-tighten fittings.

### WARNING

Do not bring or carry any additional propane bottles with you for outdoor barbecue equipment, stoves etc.

An Extend-a-flow package is available at any RV Dealer.

# Appliances

## Propane 2-burner stove

The 2-burner Suburban stove is fuelled by propane. It's very easy to light, but always use a striker.

### IMPORTANT

- Make sure stove is shut off when not in use.
- We recommend the use of a striker instead of matches to light stove to avoid possible burns.
- When cooking, make certain exhaust fan is taking odors out.
- Propane stove warranty and service information is included in your manual package.

### CAUTION

Never use the stove as a Space Heater. That's why we provide a furnace. Any moisture in the propane tank (not too likely, but it does occur) when pressurized into a smaller regulator condenses and turns to ice. The ice buildup closes the regulator and cuts off the propane flow. Soon the ice melts and the propane flow begins. The pilot light is off and the burner can't burn. The poisonous gas is released into the coach. That's how fatalities occur.

## No range hood vent

Most RV units have a range hood vent directly above the range. We used to do that, but when driving down the road it clattered and clattered, and made a lot of racket. That racket comes from a louvre which is in the back of the range hood outside the unit. The louvre is needed to protect the unit from rodents and rain coming in. We found that rain did get in during a windy rainstorm and that moisture would simply fall on top of the range. Not desirable!

We found an easier way. We placed a fire-retarding material under the cupboard base C.S.A. and R.V.I.A. approved for total safety. We use a Fantastic Fan to draw out odors and vapors.

No range hood vent — no lost storage space.

## Fantastic Fan

This Fantastic Fan provides for proper ventilation, comfortable temperature control and just good all-around desirable airflow. Open a vent window to allow for maximum air flow.

## Furnace

- The Forced Air Suburban Furnace operates on propane only. It's not electric.
- 12,000 BTU thermostatically controlled furnace.
- It's located on the passenger's side at the rear corner of your motor home.
- Please refer to the manufacturer owner's manual for complete operating and warranty information.
- Do not obstruct furnace or furnace front grill. Doing so will interfere with desired air flow.

## OPERATING FURNACE

- To use, turn on valve at propane tank. Make sure you have an adequate supply of propane.
- Thermostat is located by the rear door post on the passenger's side in your bed area allowing for ultimate comfort when sleeping.
- Locate the knob at bottom of thermostat. Turn to ON position and adjust to desired temperature.

## VERY IMPORTANT

- NEVER run your furnace if your motor home is parked in an enclosed garage.
- Remember to turn furnace to OFF position when not in use.
- A SERVICE DIRECTORY, listing all service centers in USA and Canada, is supplied with your manual.

### CAUTION

When the rear sofa is in the bed position, the front skirt must be lifted up for maximum airflow from the furnace.

## Air conditioner

Your optional air conditioner is mounted at the rear of the coach just under the roof line.

**Roof Storage.** By mounting the air conditioner at the rear, you have room for an extra storage pod and other larger items on the roof. A ladder on the rear door allows easy access up to the storage or roof mount.

**More efficient cooling.** Your air conditioner fan blows air to the front instead of down from the top.

**Lower roof line.** A roof air conditioner adds undesirable inches to the height of the unit. To avoid this problem we use rear mount air conditioners.

**Less wind resistance.** A rear mounted air conditioner is totally out of the way and doesn't affect driving in any way.

## Outdoor cooking package.

A 2-burner stove, barbecue and table with mounting brackets allows you to cook outdoors without messy cleanup inside.

With the angle pipe, attach the barbecue to the coach, tap the gas line to the outside propane tank and then enjoy a delicious dinner cooked on the portable cooking package.

Barbecue pieces are conveniently stored in the basement storage compartment of the coach on the passenger's side. The table is stored in the clothes closet compartment of the coach.

## Refrigerator

The Dometic refrigerator is a 3 cu. ft. three-way unit:

- 3-way power — propane, 110 volts, 12 volts.
- Controls are located on the front and bottom of fridge.
- Lighting instructions are provided in the manufacturer owner's manual.
- Use on 12 volts when operating while vehicle in motion.
- If planning to stop for more than an hour, turn

power to propane or your battery will drain down quickly.

- Turn to 110 volts when plugged to shore power.
- All instructions can be found on the refrigerator door.
- A manufacturer owner's manual is provided.
- Warranty. Fill in the warranty card and return to manufacturer.

## CAUTION

Make sure the refrigerator is never left on 12 volt power for extended periods of time after the vehicle engine has been shut off. The refrigerator draws about 12 to 14 amps and can drain a battery very quickly. When travelling, it's okay to stop at a restaurant for an hour or so, leaving it on battery power. For anything more than 2 hours switch to propane.

## IMPORTANT

The day before leaving on a trip, plug into house power or run on propane. It takes at least 2 hours to start cooling. To reach full cooling requires overnight.

- Always park your Motor Home on level ground. If this isn't possible, turn refrigerator OFF to prevent damage.
- If you are parked on a hot day, park with the refrigerator vent in the shade. If that is not possible, then remove the bottom refrigerator vent cover to allow for maximum air movement for cooling efficiency.
- If you're spending a great deal of time in a VERY hot climate, ask any RV dealer for a 12 volt circulating fan made specifically for that refrigerator.

## Refrigerator compartment

This unique arrangement protects against any water coming into your motor home interior.

Your refrigerator is installed inside a fibreglass tub. There's a hole in the bottom of the compartment which acts as a drain and an air vent should there

be a propane leak. It also acts as a baffle to circulate cool air.

## Electrical Appliances

### TV / Recorder connections.

- All TV / VCR's are 12 volts.

**On/Off switch underneath TV.** While there's only a slight drain on your battery when the TV is switched off, a separate switch has been added to turn it off completely. It can also act as a safeguard when someone in the coach wants to play with the remote.

**Cable hook-up.** (Many camp grounds have cable hook-ups) This switch is inside the right upper compartment in the front of the coach. The cable connection is in the back of the coach with the cord set.

**Antenna.** The TV antenna is all-directional and wrapped right around the whole unit on the inside of the coach.

### Sound package

The Sound Package includes extension speakers and earphones (for TV). The earphones allow you to tune in (remote control) to the optional TV/VCR combo neatly tucked into the raised roof nose.

- This option is especially helpful for people hard-of-hearing.
- One person can still sleep while another person is listening to the TV.
- The twin bed model has a speaker/headset for the bed on the driver's side in the back as standard equipment. Optional equipment on the 3 and 4 sleeper models includes a speaker/headset for the bed on the driver's side in the back and a speaker/headset behind the driver's seat.
- Other people can watch TV while driving and not disturb the driver with the TV audio.

### Coffee maker

- 110 volt only.

The coffee maker is optional. It's a Black & Decker under-the-counter model.

Water is poured into the left water tray, coffee is added to the right tray inside the filter, and the coffee maker is then turned on. Within minutes you have the sweet aroma of freshly-brewed coffee.

- You can prepare it before going to bed at night, set the timer and wake up to that wonderful aroma.
- If your motor home has an INVERTER or generator, you can enjoy coffee whenever you want. The INVERTER converts 12 volt to 110 volt.

### Microwave oven.

- 110 volt only.

The 0.6 cubic foot microwave comes with a turntable. If your motor home comes equipped with an INVERTER or generator, use the microwave anytime.

## Water & Sewer

Standard equipment includes:

- A 20 gal. fresh water tank (75.8ℓ).
- A 20 gal. gray water tank (75.8ℓ).
- Fresh water toilet 11 gal. (41.69ℓ) holding tank.

**The Fresh Water tank on all 1995 models and newer, are insulated to keep the water from warming up while driving in hot weather.**

- Demand pressure system.
- Water filter.

### Hot water heater & switch.

The Hot Water Heater capacity is (6 gal.) 27.2ℓ with auto light.

The black switch is located either to the left or the right of the monitoring panel. Flick the switch and a red light comes on. Once ignited, the light turns off and you know it's working. If it doesn't ignite,

check the reset button which becomes accessible when you take off the grill of the water heater.

### Water pump

The water pump is a demand water pressure system. It switches off automatically. If the battery power is too low, the pump will not build up enough pressure to turn off.

When hooked up directly to town water supply, the pump isn't needed.

### Water filter

Your water filter removes any unpleasant odors or tastes from the water supply. It filters about 500 to 800 gallons of fresh water, which is more than adequate for a long camping trip. The filter is attached to the cold water line only.

## Toilet

### Space saver

Space isn't wasted in your motor home. You move back onto the toilet instead of using a room-sized cabinet to house it. This leaves more room for general living space.

### Holding tank

fresh water toilet is positioned directly above its own 11 gallon holding tank, for easy system flushing. This holding tank is deliberately placed inside the motor home for colder climate use, without freeze-up hassles.

The waste, upon flushing, drops straight into the holding tank. Only one flex-coil hose is needed to drain the holding tank. No room for waste buildup. No protruding pipe to break from flying stones or frost. And no messy dumping.

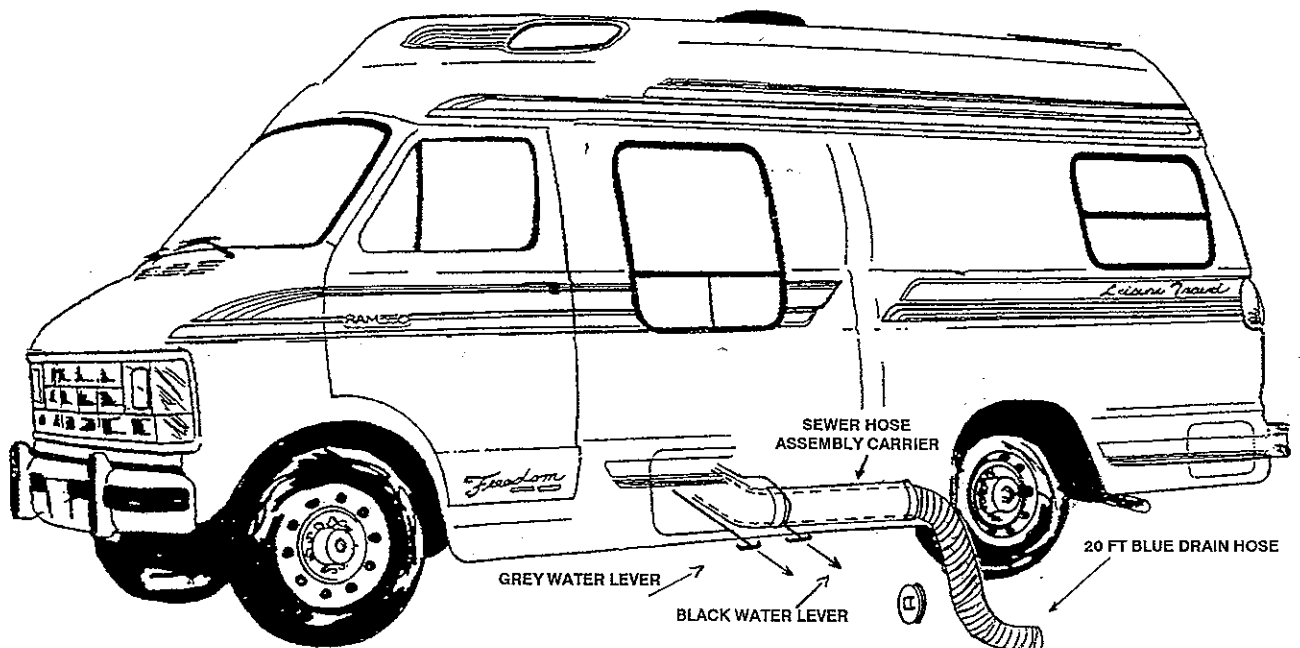
If you intend to use the toilet in colder weather, add a little RV antifreeze to the tank through the toilet. Then you're ready for that skiing trip or snowmobile safari. Keep the furnace going and dump the holding tank when your done.

For colder weather use, it's advisable to bring a container of fresh water because the fresh water tank is located underneath the motor home. It will freeze up.

### Dumping your waste

A 20 foot waste hose, stored in a protective tube, is attached to the valves. It's easily accessible for one hand dumping (so stooping or grovelling under your motor home). The dump valves are protected with foam insulation to prevent road damage.

Open the sewer hose carrier cap located near rear driver's side tire. Pull out the sewer hose and fit into flushing station hole.



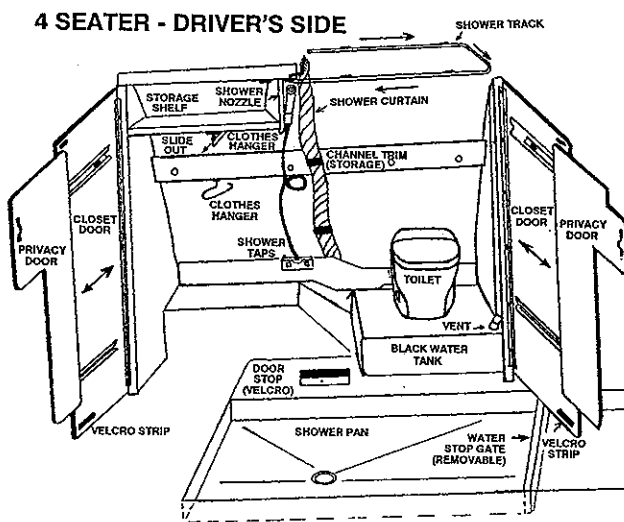
First, pull toilet valve and allow to empty. Next, pull the gray water valve and allow it to empty. This will clear your sewer hose of any remains from the toilet tank.

If you desire, flush toilet a number of times to rinse clean. When finished, close both valves and lift up hose to force all water out. Slide hose back into the holding tube. Place cap onto tube and tighten.

**The entire operation can be completed without getting your hands wet.**

### Compact functional shower.

The shower is compact and functional. Lift up the carpet-covered shower pad in front of the toilet and closet doors. You're now standing on the shower base.



Open the closet doors and extend the privacy panels. Next, take your shower curtain, draw it around you and velcro into place. A removable water stop gate keeps the shower curtain in place and prevents water from exiting the shower pan. This stop should be used only when the shower is in use.

Take the flexible, hand-held shower head, adjust water temperature and have your shower. When done showering, pull curtain back, twist and roll up and put in travelling place.

After a shower, the shower tray will be wet. The

shower pad sits down on its four corners allowing sufficient air movement for the shower tray to dry. It won't need special wiping.

## Freedom Lifestyle

### Freedom wide body

*It's* exactly what the name implies — additional interior space. That means more stretching room (our rear double bed is 6' 6 1/2" long) — more living room period.

### The camping lifestyle

A camping lifestyle is a very friendly lifestyle. You can meet all kinds of people at camp grounds. You can entertain four to five people sitting comfortably around the table for coffee or fellowship.

### Leisure Travel Club

A Leisure Travel Club and a Leisure Travel magazine facilitate the sharing of camping lifestyle ideas. Contact John and Susan Kelly, 121-65 Scadding Ave, Toronto, Ontario, Canada M5A 4L1 for more information.

### Coach easily kept clean

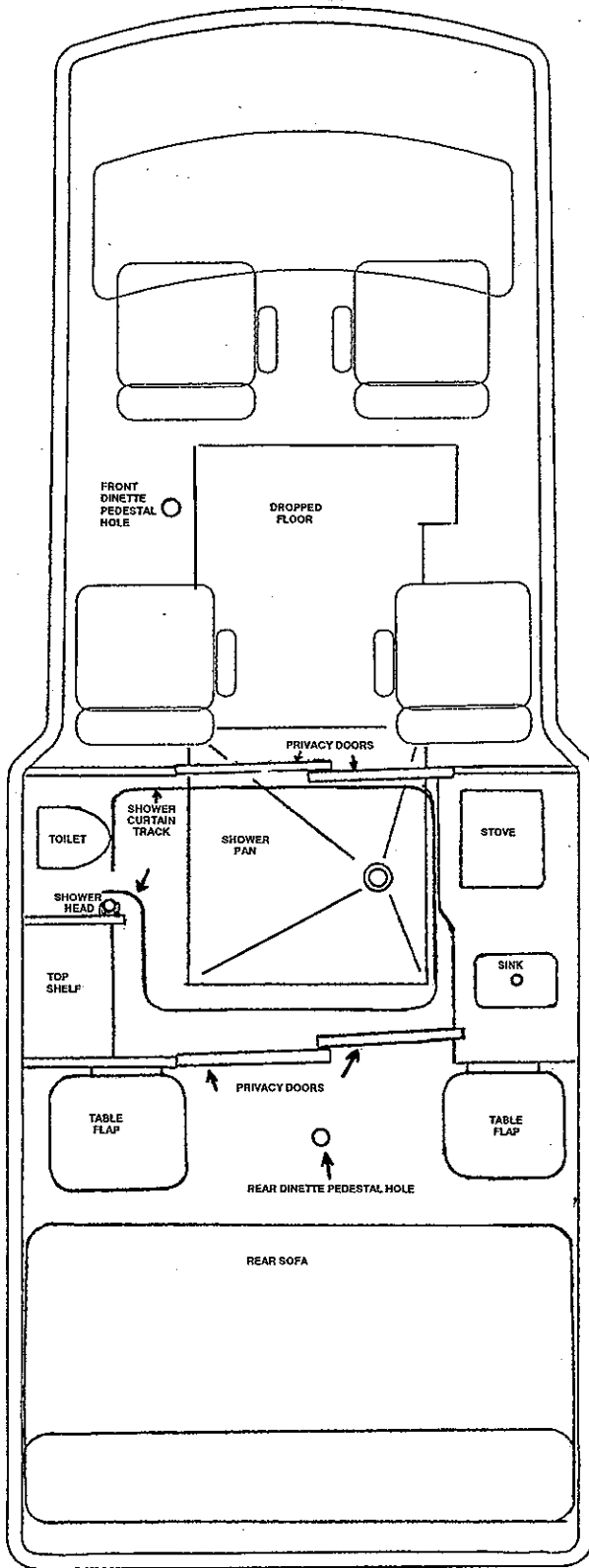
There's very little inside a Leisure Travel Motor Home coach that really soils. Linoleum on the galley floor is easy to sweep and wipe clean. The Dupont Stain Free carpet makes for easy cleaning. The compactness of our unit also lends to easy cleaning.

## Four Seater Rear Sofa

This floor plan is ideally suited as a luxury travel vehicle. You have four comfortable, seat-belted passenger seats. You can leave the bed made up in the back and, if desired, make-up two front beds for children, grandchildren, or another couple.

There's also extra privacy by opening the closet door, fully extending it and locking it into place. This allows for sleeping privacy and / or using the washroom from either side depending on which closet door you open.

4 SLEEPER FLOOR PLAN



**The rear sofa**

With the rear sofa, you have a whole new way of using your motor home. You have an extra three-passenger seat with seat belts. This rear sofa adjusts electrically to slope at whatever angle you desire. It is also a very comfortable bed with a spring mattress.

The upholstery has a foam backing. This reduces wear and keeps the velour looking good for a long time.

**IT'S ILLEGAL TO SIT SIDWAYS WHEN COACH IS IN MOTION.**

**Table setup**

A motor home with a rear sofa has three smaller dinette tables.

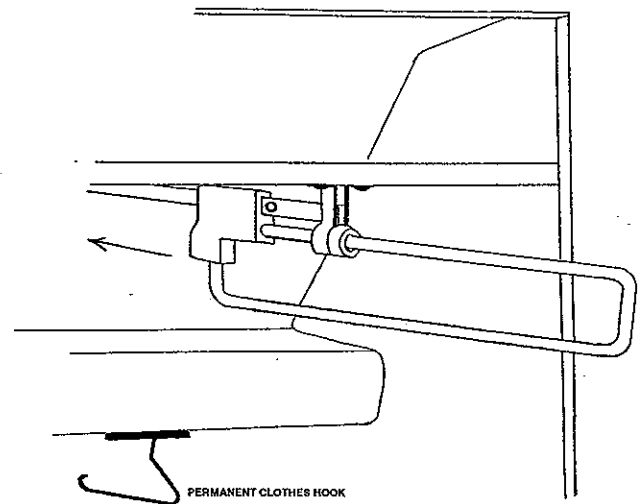
Two smaller tables are located on the sides of both cabinets, right and left. They snap into place when in use and drop down out of the way when not in use. The third table sets up on a pedestal.

To set up the third table, take pedestal and place in base on floor, pushing down and locking it in place. Take the dinette table top from its storage and place on top of pedestal. The table top base is adjustable and can be tightened to stay in place.

When taking down, remove table top from pedestal and place in storage. Squeeze the locks on the bottom of pedestal and remove easily and also put in storage.

**Clothes closet**

CLOTHES CLOSET — HANGERS (2)



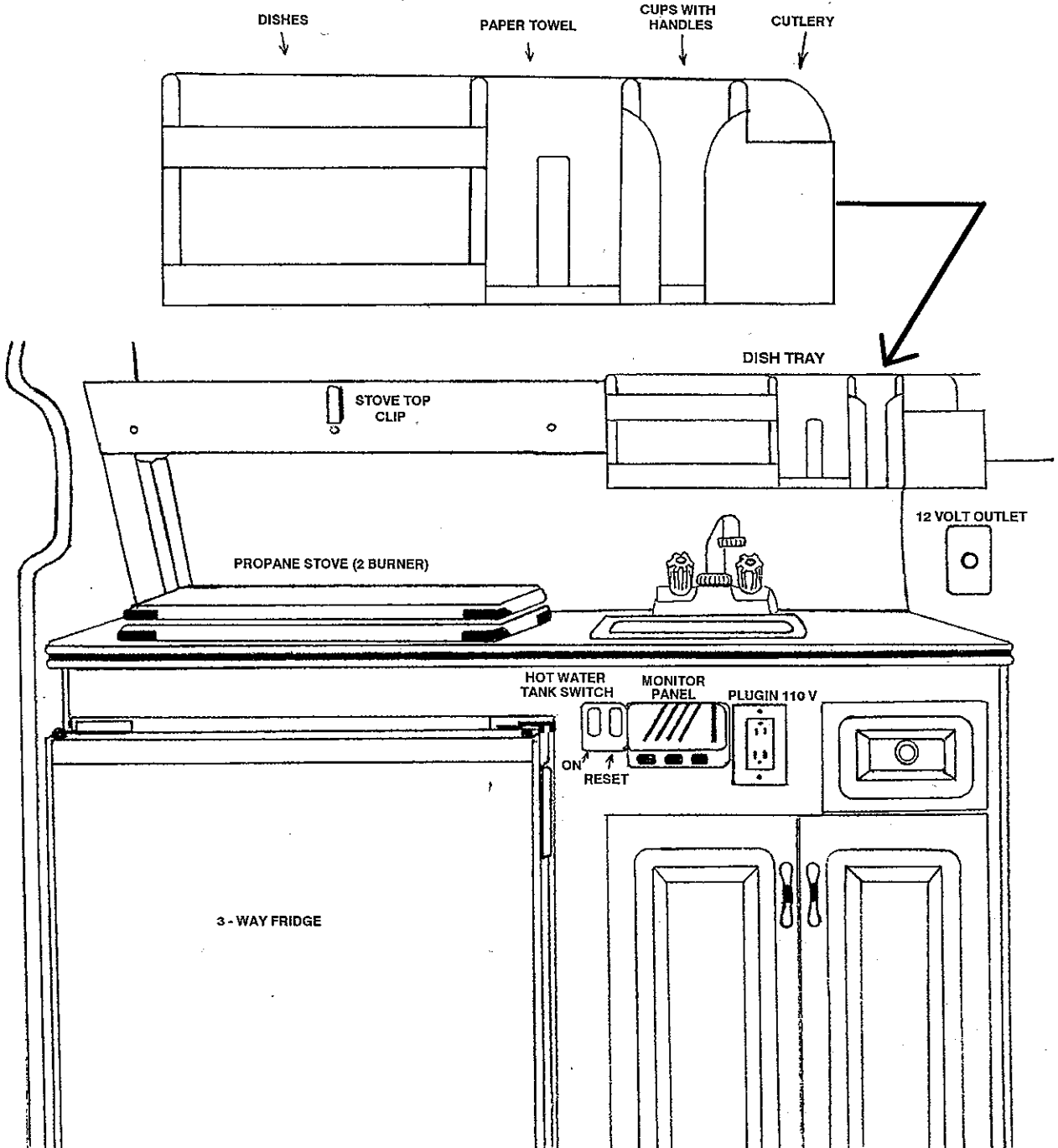
The clothes closet on the 3 and 4 seater models has two racks. One slides in and out for easier access and the other, a permanent rack, is further along on the inside. The twin bed model has only the slide-out rack.

Four Seater Dinette

**Dish, cup and cutlery holder**

This is included in the four-seater only.

- Looking at the holder straight on, starting at the right, cutlery fits into slot # 1.
- cups with handles go in slot # 2.
- Paper towel slot is # 3.
- Dishes go in slot # 4.





### Setting up the table & bed.

The table pedestals are inside the clothes closet. The table top is smaller than the width of the bed. Take the extra width divider board from its permanent storage underneath the bench. Slide it into place and take the back rest cushions from the back of the bench and lay them down in the middle to make a 50" bed. When the back rest cushions are laid down in the middle, it's still easy to get into the bench storage.

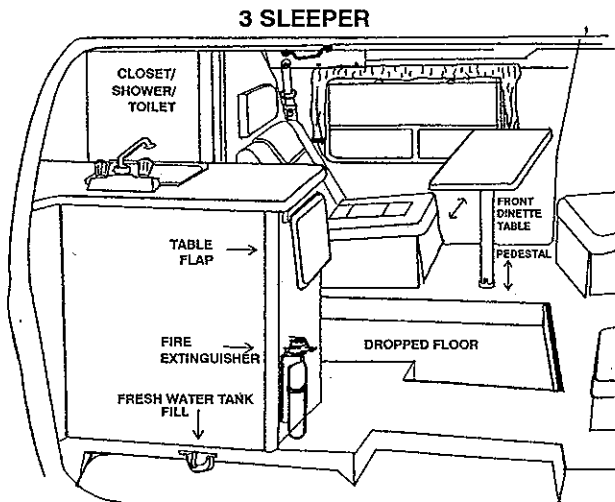
The cushions have a rubber foam to give the utmost comfort. Open the cushion zipper to see two different colors of foam. The ivory color is the softer material for a softer bed and the whiter material is a firmer foam for a firm bed. Pick the comfort level you want and turn that color foam right side up:

Normally the bed will be left made up. A divider board underneath the bed allows for easy conversion to the dinette. When setting up the dinette, lift the front of table top up with the rear resting on the back ledge. Take the pedestal and lock it in place both bottom and top. Slide the pedestal base underneath the table and level out the table.

## Three-Seater

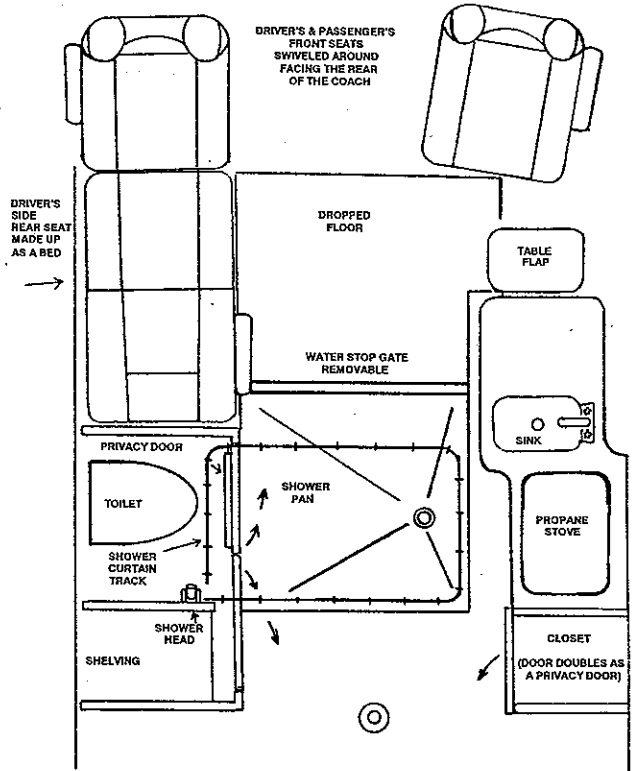
Designed for a party of three, this layout lets you make your rear double bed once, and leave it for the duration of a trip.

The forward section offers you more kitchen cabinet, counter and storage space.



A two person dinette in the forward section quickly converts to a single adult bed.

3 SLEEPER FLOOR PLAN

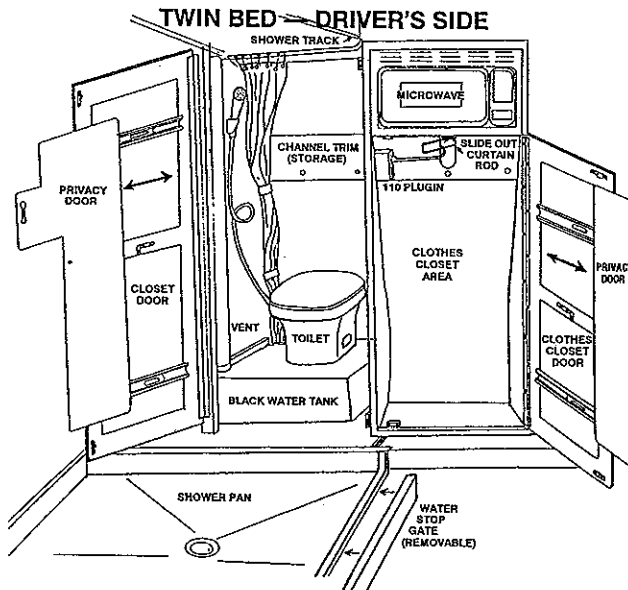


### Toilet compartment vanity sink

An optional vanity sink slides out above the toilet to be used as desired. When toilet is in use, the sink simply slides out of the closet. When toilet use is no longer needed, slide vanity sink back over the toilet.

## Twin Bed

The two single beds available in this Freedom Wide Body floor plan were designed with travelling friends in mind. It allows for two people to sleep undisturbed, even when travelling with a wandering night owl.



### Pantry, wardrobe, & washroom

Across from the galley, the combination wardrobe and washroom area offers true travelling comfort.

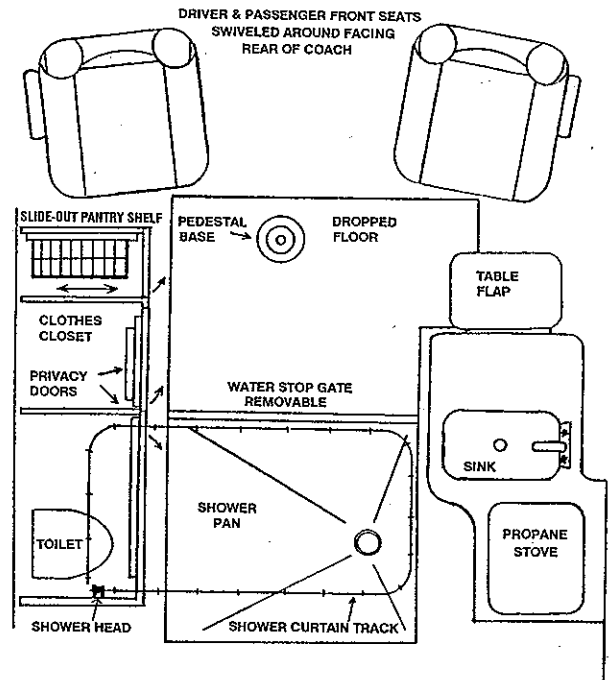
### Pantry shelf

The two seater floor plan doesn't have any seating other than the front passenger and driver seats. This configuration allows for more cabinet space. The pantry wire shelving allows for storing groceries in the most efficient way.

### Clothes closet

We provide a slide out clothes hanger with a slide-out divider door. If you want to use the washroom or change clothes without pulling all the curtains, this divider door just slides into place.

TWIN BED FLOOR PLAN



## Exterior Features

All lockable doors operate on one key. No fumbling for separate keys.

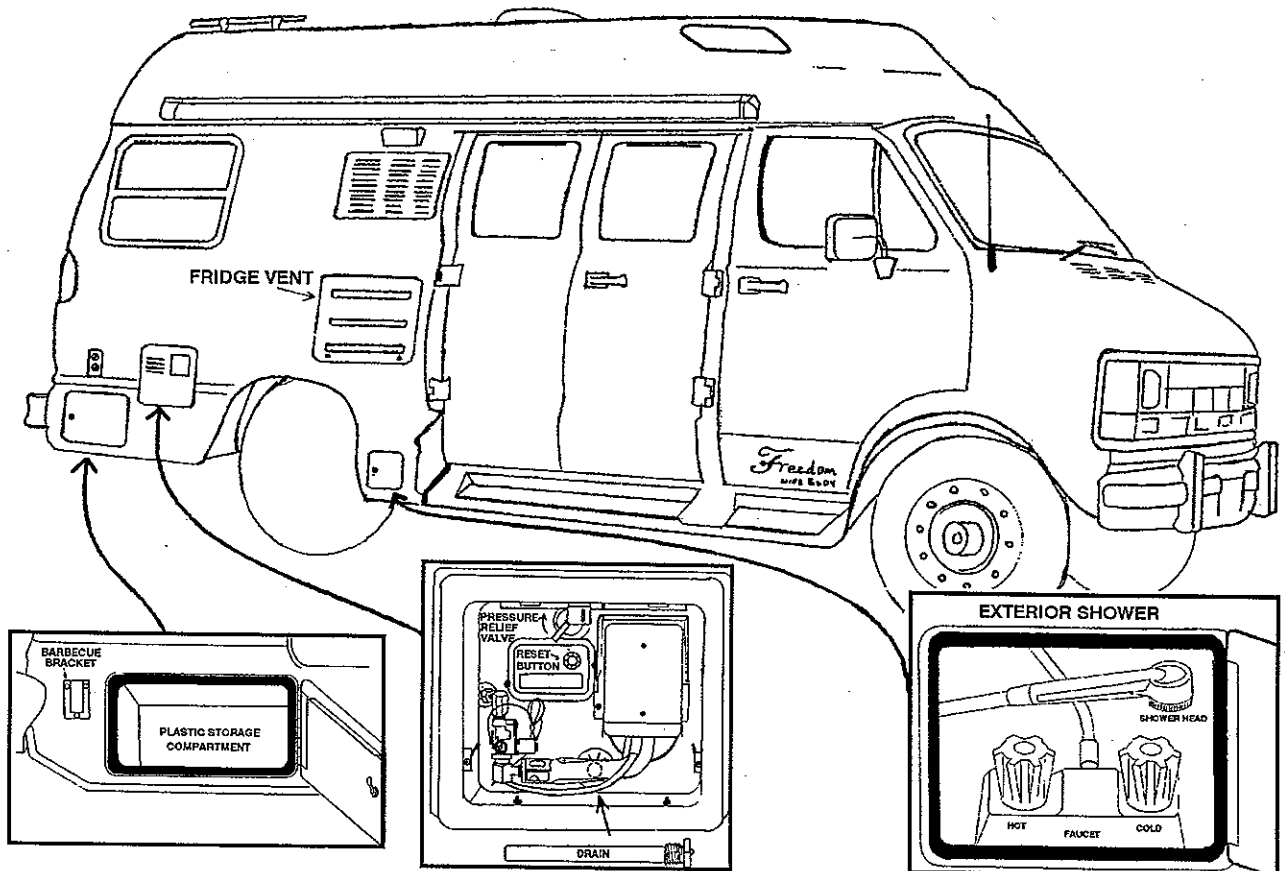
### Optional exterior shower

- A shower head on a flexible hose delivers hot and cold water.

to the water inlet. Simply unravel and connect to the city water supply. When moving, roll up and store in compartment. Slowly squeeze water from the hose before storing.

### Rear left storage compartment

This is the generator compartment. If generator is not taken, it becomes additional storage. This ad-



### Rear right storage compartment

This is a neat place to store the outdoor cooking package.

ditional storage compartment is accessible from both sides of the vehicle and from within the coach between the rear dinettes or under the rear sofa.

### Utility centre hook-up compartment

- 110 volt hook-up
- Cable TV hook-up
- City water hook-up. Your motor home comes equipped with a flexible water hose attached

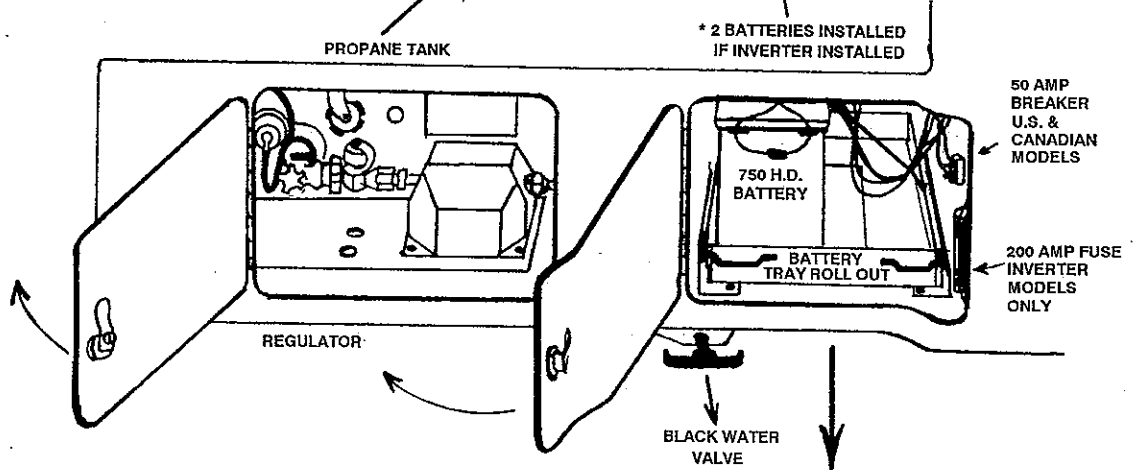
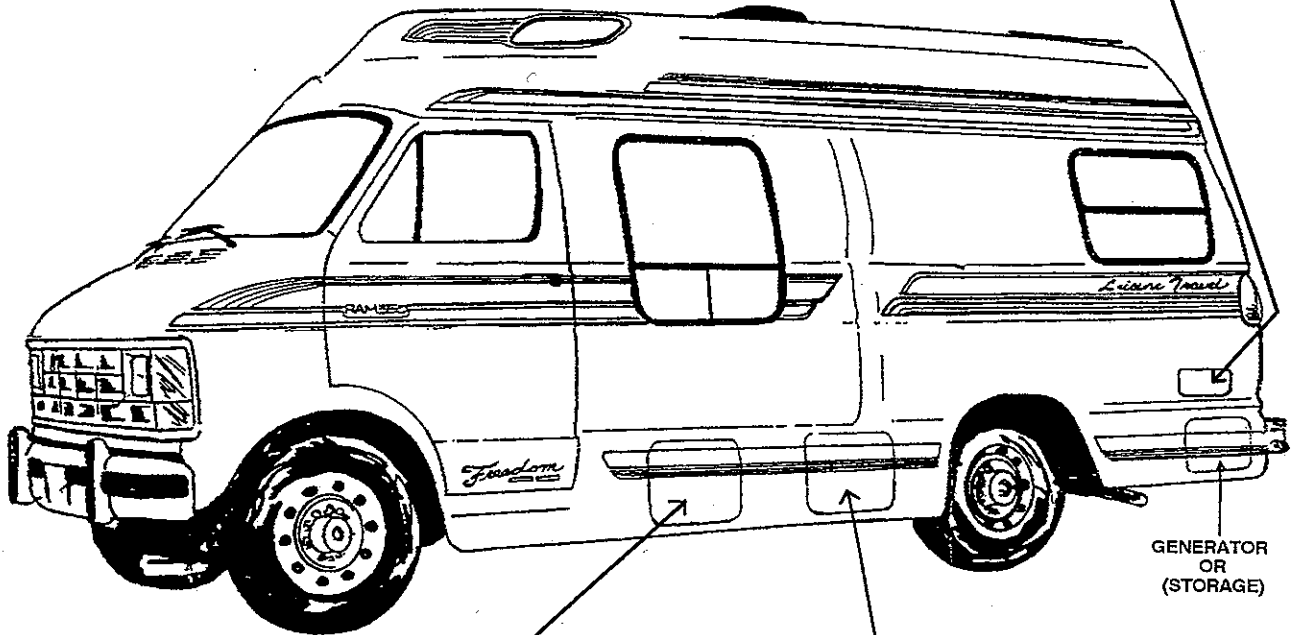
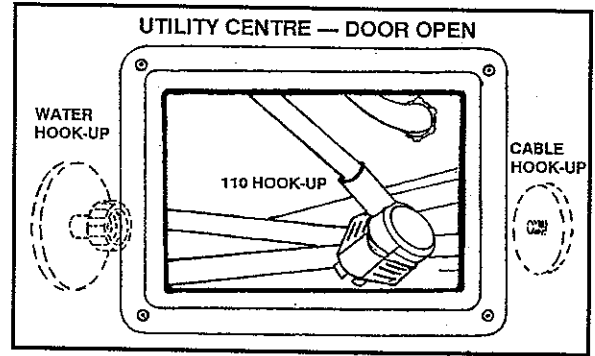
### Generator

- The generator oil level is easily checked. The oil filter is underneath the generator. Four bolts, also underneath, drop the unit right down to the ground for easy maintenance. The generator is fuelled from the main vehicle fuel tank.

- The remote starter switch is located just above the driver's seat. Flick the switch to start the generator and a little blue light indicates that it's running.

**Battery compartment.**

- This battery slide-out tray normally holds one battery. For motor homes with an INVERTER, the unit carries two batteries.
- Note - Check battery water level periodically!



- When washing vehicle, slide out battery tray and wash away road residue and grit.

### **Propane bottle compartment**

- This includes a 32 lb. propane tank.
- A barbecue 'T' comes standard in every unit. Here's the place to attach a 20 foot-hose which provides the propane for the optional outdoor cooking package.
- This hook-up allows use of any high pressure barbecue setups.

### **Miscellaneous exterior features**

- Roof rack and ladder for upper storage.
- Factory transmission cooler maximum radiator size.
- Electrical trailer towing plug.
- Your motor home comes equipped to tow any trailer up to 4,500 pounds. If you want to tow anything larger than 4,500 pounds, we recommend the optional 360 cu inch engine with a 4:10 differential.
- We offer an optional trailer hitch that bolts on to the same brackets as the bumper. We can't use a normal receiver because of the storage compartment underneath. Now an equalizer hitch will pull any desired weight. The hitch is designed and built by Leisure Travel Vans Ltd.
- Spare tire and continental cover.

### **One piece fibreglass running boards**

These provide stone guards front to back. They protect the van and make it appealing, adding to the unique design.

### **Automatic power transfer switch**

- This switch automatically transfers power when switching between 110 volt shore power and generated power. It prevents damage to any circuitry should the operator forget to switch from one to the other.
- The switch is located beneath the rear sofa on

the driver's side back corner (or under the dinette cover on some models).

- We provide wiring for one or the other, either the INVERTER or the generator. The wiring becomes too complicated when both are installed.

## **Protection & Handling**

### **Handling & safety package**

- The engineers at Leisure Travel Vans Ltd. wanted you to be at ease, and feel at ease. So while they constructed the stylish, high grade fibreglass body and roof, they embedded a steel brace that wraps around the motor home, to make it stronger and more resistant to the usual twisting and flexing.
- Also included is a roll bar over the forward driver/passenger area made from fibreglass stronger than steel.

### **Optional safety features**

1. For optional safety features, you can add a SAFE-T-PLUS hydraulic unit in the steering system to maintain straight-ahead-steering for the unexpected road hazard such as pavement drops sheer winds or tire blowouts.
2. Or we suggest the Firestone Ride Rite System, a type of air bag rear suspension system which further braces the motor home against the unexpected road hazard.

Simply pressing a button on the gauge (mounted under the dash) immediately eliminates sway which improves road handling and safety. It allows for levelling adjustments of several inches, up or down, when parked.

When air is pumped into the air bags, the gauge will flutter. This is normal operation and does not warrant servicing.

**NEVER HAVE AIR PRESSURE  
LOWER THAN 40 POUNDS.**

3. Gabriel Shock Absorbers. Gabriel believes these shocks to be the highest quality shock absorber available for your motor home. For proper performance, they should be installed by a qualified shop as the Leisure Travel Motor Homes factory. The Gabriel Shocks carry a one year warranty.

## Electrical System

### Battery isolator

The isolator separates the front battery from the rear battery, so that you use rear battery power. It is advisable to put the radio on ACCESSORY to avoid draining the battery's energy. You never need worry about being out of power because of a dead battery. With this Battery Isolator feature, should your headlights have been left on unintentionally, you can undo the nuts on the isolator terminal (located on the right hand side when you face the chassis), and hook it up to the centre terminal. Your front battery will be charged in about 15 - 20 minutes. Should you receive a discharge reading on your instrument panel, disconnect the wire from the left side, move it to centre position, then if you start the engine and it is charging again, you need to replace your isolator as it is burned out.

## Front Battery

This starts your Leisure Travel Motor Home and runs the accessories — radio, courtesy lights.

### AM/FM/Cassette

Please refer to owner's manual provided with your motor home.

### TV/VCR

(Optional equipment) Please refer to instruction manual for operation.

### *How it gets its power...*

TV and VCR draw power from the secondary battery in the coach. When you are plugged into shore power, the converter which changes your 110 power to 12 volt (which operates all 12-volt operations)

also charges the battery while the TV and Video player draw 12-volt power from the battery. Ear phone hook-ups are available.

### TV antenna

An all directional TV antenna is located on the front and sides of the vehicle. This antenna is not visible. It is installed under the vinyl headliner of the coach.

### TV cable switch

A signal booster is also built into the vehicle. It is located in the overhead consol on the right side of the TV. Find the switch and turn it to 'cable'. Next, hook up your cable provided by the camp ground, to your motor home hook-up, which is located in the utility centre at the rear of the coach on the driver's side.

### Lighting

All lighting is 12 volt. Power is drawn from the auxiliary battery when not plugged into shore power. The converter converts 110 power to 12 volt when plugged in so as not to drain your battery. The converter also charges your battery if needed.

### Front courtesy lights

Located near sun visor. These lights run off dimmer switch and take power from your automotive battery. Dimmer switch operation instructions on page 6 of this manual.

### Interior lights defeat feature

To provide for recreational uses of this vehicle, the headlight switch has a position which will defeat the interior lights even if a door is left open. When the headlight switch is rotated fully clockwise, past the detent, all instrument panel lights are fully dimmed and the interior lights will not come on if a door is opened. This feature allows a door to be left open for extended periods of time without draining the battery. Rotating the headlight switch counter clockwise restores normal operation of the interior lights.

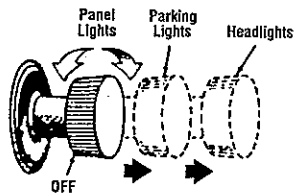
### NOTE

When the interior lights are defeated, the remote control mirror switch is also inoperative.

# Headlights and Parking Lights

## Exterior Lights

The headlight switch has two positions. The parking lights, taillights, licence plate light, side marker lights and instrument panel lights all turn on when the headlight knob is pulled out to the first position. Headlights will also turn on when the switch is pulled out fully.



The brightness of the instrument panel lighting can be regulated by rotating the headlight switch in either direction.

## Daytime Running Lights

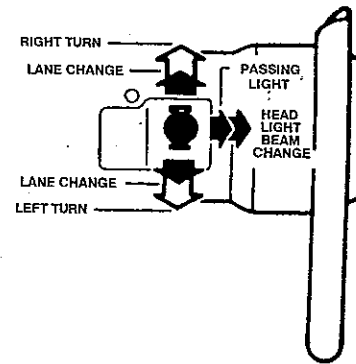
(Canada only)

The headlamps on your Leisure Travel Van will illuminate when the vehicle is started and the speed sensor recognizes forward motion. This provides a constant "Lights On" condition until the engine is turned OFF. The lamps illuminate at less than 50% of normal intensity.

## Multi-Function Control Lever

### Turn signals

The arrows on each of the instrument cluster flash to indicate proper operation of the front and rear turn signal lights. If either indicator remains on and does not flash, check for a defective outside light bulb. If one of the indicators fails to light when the lever is moved, it would suggest that the fuse or indicator bulb is defective.



### Headlight dimmer switch

Pull the multi-function control lever toward the steering wheel to switch the headlights from HIGH to LOW beam.

### Passing light

During daytime driving, with headlights off, you can signal another vehicle with your headlights by lightly pulling the multi-function lever toward the steering wheel. This will cause the headlights to turn on at high beam and remain on until the lever is released.

### Lights-on reminder

If the headlights or parking lights are inadvertently left on after the ignition is turned off, a signal will sound when the driver's door is opened.

### Power converter

Converts power from A/C 110 V to DC 12V for lights and anything else operating on 12V power. The converter has a built in charger to restore charge to the auxiliary battery. It is located at the rear of motor home underneath the driver's side dinette seat, or the sofa. (see warranty and maintenance sheets).

## Converter Maintenance

There are no parts in a converter that require any routine servicing or adjustment.

However, to prevent a buildup of dust inside the converter, which could cause problems, it should be blown out once or twice a year. It is not

necessary to remove the cover to do this. Use a high pressure airline or shop vac.

The converter contains a number of safety devices to prevent expensive damage occurring if there are surges on the hydro supply. These surges frequently occur during thunderstorms and lightning strikes. The surges can travel a long way on the hydro lines and damage equipment over a wide area.

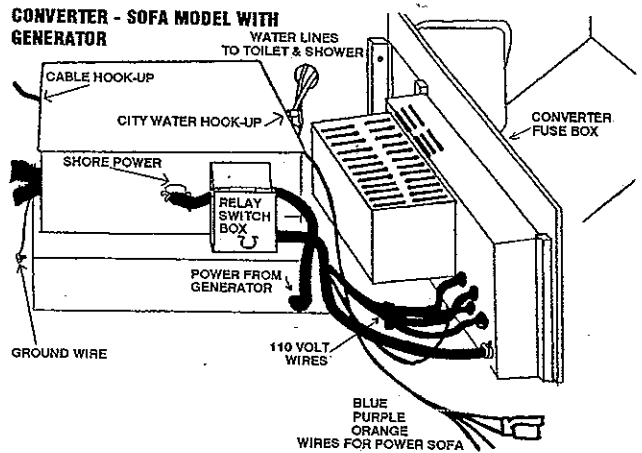
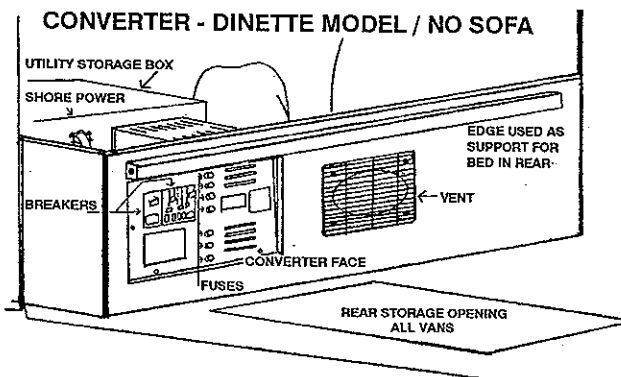
If the surge is very high it may blow the internal 7 amp fuse. This is the last level of protection and rarely happens. This fuse blowing prevents the converter from working.

If you suspect that the converter is not working, the easiest way to check it is turn the hydro on and off. Each time you do this the converter should 'click'.

If it doesn't, first check that the power is getting to it. To do this, unplug the converter at the utility receptacle and plug in a table lamp, or anything that runs from hydro. If it doesn't work, check that the hydro breakers have not popped. If it does work then the converter is at fault.

The internal fuse is mounted very close to where the cordset enters the converter. It is a 7 amp, 250 volt fuse. To replace it, **UNPLUG THE CONVERTER**, remove the six screws (two each side and two on the top) that hold the cover on the converter. Replace the fuse and the cover and plug the converter back in.

If it 'clicks' then no damage has been done. If it doesn't 'click' or the fuse blows immediately, then the converter has suffered damage and requires servicing.



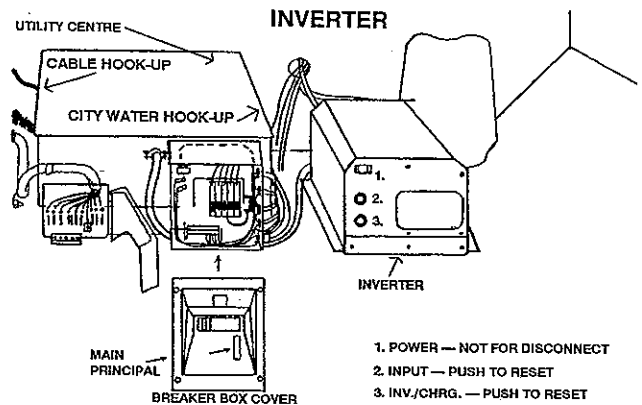
## Inverter (optional)

**NOT AVAILABLE WITH GENERATOR.** Converts 12V battery power to 110 V household current. On this power you can run:

- microwave oven
- hair dryer
- toaster
- curling iron
- shaver
- coffee maker
- computer
- video games

### DO NOT USE

- anything using excessive power
- air conditioner
- electric frying pan
- electric kettle



## How To Use Inverter

If cooking for a longer period of time, you should start your engine motor so that the battery can keep up the charge and doesn't draw down the current. If cooking for 2 or 3 minutes, you can use the 12V battery power. Switch to "OFF" position when not using the inverter. Why not cook dinner **WHILE YOU DRIVE?**



## Fibreglass Roof and Running Boards

To best care, use a fibreglass polish. Doing so makes it easier to wash your motor home and prevents fading.

### Roof racks

These are provided to store up to 150 lbs. on the roof without a problem. If you want to carry more weight, contact us at the **Leisure Travel Motor Home** factory. We can provide ski and bicycle racks and helpful advice on carrying other cargo.

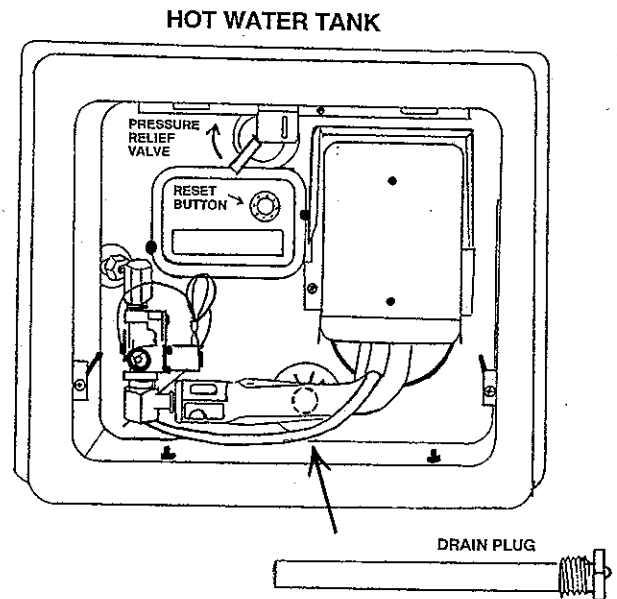
### Pin striping

All pinstriping will be warranted by any Trim Line outlet (owned by 3M) U.S. or Canada. If there is a problem on warranty, please send us the bill — **Leisure Travel Motor Homes, Box 189, Gretna, MB. ROG OVO** — and we will refund the money or you can have the Trim Line Company call us at (204) 327-6671.

## Winterizing The Water System

Winterizing means to drain all water from water system to prevent breaking from freezing temperatures. Steps 1 - 6.

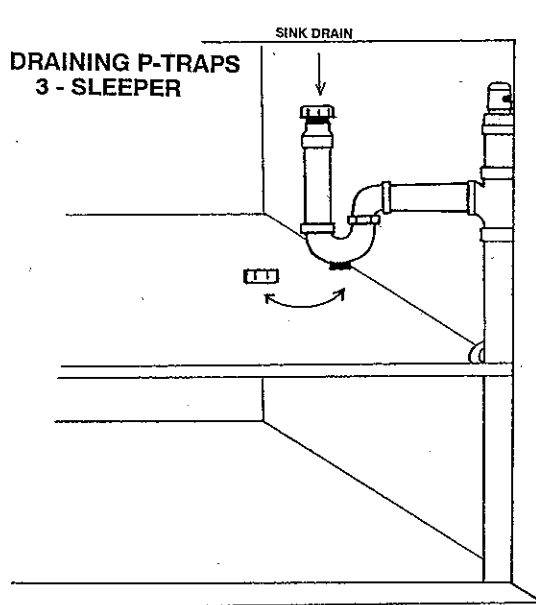
1. Drain fresh water tank, either by drain or by turning on pressure pump and letting water flow through sink. (This will shorten the life of your water filter). The drain valve is located on the passenger's side under the coach (look into the front of the wheelwell and reach under the coach).
2. Flush both gray and toilet tanks (black tank).
3. If equipped with hot water heater, open outside lid of hot water heater and drain the tank. Drain is located at the bottom of the tank. At the same time lift pressure relief valve, which is located at the top of the tank. If you don't open the pressure relief valve, water will not drain. Or, you can turn on hot water faucet. After all water is removed, close the release valve and drain valve.



4. Hook up an airline to your city water hook-up. Open all faucets and flush toilet until only air comes out. If you do not have an air compressor near by, you can do this at any service station. You need an adaptor from your city water hook-up to an air hook-up.

**Do not let any antifreeze run through your filter and your water system as this will harm your filter.**

5. Just below sink drain is a pea trap which is a curved elbow. At the bottom of the elbow is a drain plug. Unscrew the plug. Use a container (a bit larger than a cup) to catch the water. Replace cap and tighten. If this is inconvenient, put about 1 (one) cup of RV antifreeze into sink.



6. Make sure there is no water in the pump. Undo nut that faces forward. There are only a few drops of water in there. Hand tighten fitting, and your done!

## Using Your Motor Home In Below Zero Temperatures

It is advisable to have urethane insulation on holding tanks. This is a factory option.

Make sure gray holding tank is empty at all times. Take 1/2 gallon of RV antifreeze, put into toilet bowl and flush. This prevents outside valve from breaking.

It is recommended that you take water container along for your fresh water supply.

The toilet can be flushed without fresh water supply. The black water tank is located inside the motor home and as long as it is kept warm, nothing will freeze.

When using the sink, let water run down to holding tank. Make sure gray holding tank valve is open so water can run out before it freezes.

If you do not wish to take along a fresh water container, you may use the fresh water tank, but only if

it is insulated. Depending on how cold the weather is and how long you leave the water in the tank, it can still freeze. You will have to judge this for yourself.

If you're FINISHED using your Leisure Travel Motor Home in the cold weather, follow the winterizing Steps 1-6.

If you have not used the fresh water tank you only need steps 2 and 5.

**Make sure that you don't run any RV anti-freeze through the water line — only into the sink drain.**

## Winter Driving

1. When driving in extremely cold weather a 'winter front' should be installed in front of the grill, because the van is equipped with a transmission cooler, and the transmission oil could get too cold, possibly damaging the transmission.
2. If you find any swaying occurring as you drive in windy conditions, you may need the GABRIEL SHOCK option. Contact Leisure Travel Motor Homes factory for details.

## About Your Dodge Van

1. When driving in the city DO NOT use 'OVERDRIVE'.
2. When driving in hilly or mountainous road conditions, push 'OVERDRIVE' to OFF to prevent the transmission from shifting back and forth unnecessarily.
3. If towing a trailer or heavy boat, make sure the 'OVERDRIVE' is OFF. This includes everything that is over 2500 lbs.

## Monitor Panel

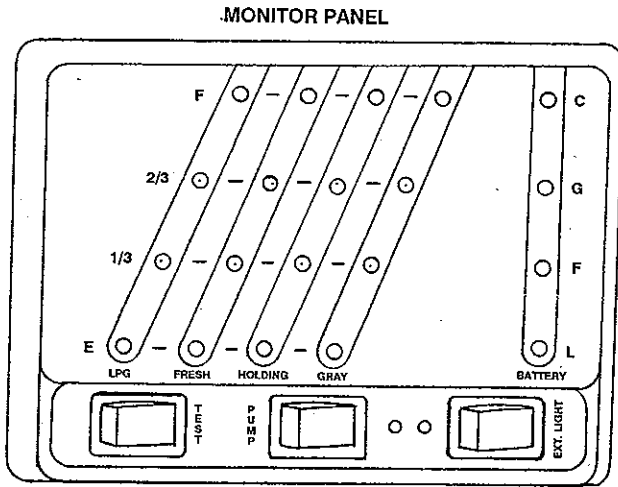
### Systems monitor

#### Red button

By pressing the red button the pump is turned on.

**Black button**

This is the test button. Push it and all lights go on to show you the levels in each of the tanks: LPG, fresh water, holding or black, and gray.



THE MONITOR PANEL ALSO HAS A BATTERY INDICATOR:

L (low)    F (fair)    G (good)    C (charging)

At 'F' there is still plenty of power left in the battery.

**NOTE:** A Systems Monitor warranty registration card is included with your Leisure Travel Motor Home. Please be sure you fill in the form and return it to the address indicated.

## Optional Equipment

### Rear air conditioning

If any problems are encountered, please contact Leisure Travel Motor Homes. We will contact the nearest air conditioning repair location.

### Screen package

Screen packages are available for the factory side door and factory rear door.

### Microwave oven

"Microwaving" means to cook, heat or defrost foods

with microwave energy. Just like any other type of cooking, it has its own characteristics and with a little practice microwaving can take over many of your top-of-the-range jobs with LESS time, LESS attention and LESS cleanup. Leisure Travel Motor Homes recommends the

- TENDER COOKER (microwave pressure cooker) for a safe, simple, and quick method of food preparation in your motor home. It will roast, brown and tenderize up to 3-lbs of juicy beef, pork or poultry in 30 minutes or less.
- Gentle pressure makes food more tender, flavorful and healthy.
- Reduces conventional cooking times by 75%.
- Superb for vegetables, especially cauliflower, broccoli and artichokes.
  - 2 1/2 quart capacity
  - Convenient 8" x 10" size
  - Triple pressure relief system assures safe operation.
  - Saves energy and cooking time.

### Sound package

### Awning

To be used in areas for sun screen. Also helps to keep the area shady. DO NOT USE in windy conditions.

### Adder room

Attaches to awning. Keeps bugs away and creates an added comfort zone outside your motor home.

## Standard Equipment

### Smoke detector

Batteries should be checked periodically by pressing the test button. If smoke detector comes on when you're cooking, open up the detector door, pull battery back and it will disconnect.

**Fire Extinguisher**

- Located behind the captain's chair
- Check operation instructions provided at time of purchase.
- Check pressure periodically.

**Precautions - LP Gas****IF YOU SMELL GAS**

- extinguish any open flames, pilot lights and smoking materials immediately.
- do not touch any electrical switches.
- shut off the gas supply at the tank valve.
- open doors and windows to provide maximum ventilation.
- leave the area until the odor clears.
- have the system checked and the leak corrected before use.

**WARNING**

LP gas tanks shall not be placed or stored inside your unit. LP gas tanks are equipped with safety devices which relieve excessive pressure by discharging gas to the atmosphere.

**WARNING**

To reduce the danger of fire or explosion, do not store LP gas tanks, gasoline or other flammable liquids inside your unit.

**WARNING**

Do not fill LP gas tank to more than 80% of capacity.

A properly filled LP gas tank will contain approximately 80% of its volume as liquid LP gas. Overfilling of the LP gas tank can result in uncontrolled gas flow which can cause fire or explosion.

**WARNING**

The tank valve must be closed and all appliance pilot lights turned OFF before LP

gas filling. Only qualified personnel should fill your LP gas tank.

**Appliances****WARNING**

It is not safe to use cooking appliances for space heating purposes.

Cooking appliances need fresh air for their safe operation. Because the amount of oxygen supply is limited due to the size of your unit, before operation of cooking appliances, open the overhead vent or a window or turn on the exhaust fan. Proper ventilation when using the cooking appliance(s) will reduce the dangers of asphyxiation. It is especially important that cooking appliances not be used for comfort heating purposes as the danger of asphyxiation is greater when the appliance is used for long periods of time.

**WARNING**

Portable fuel burning equipment, including wood and charcoal grills and stoves shall not be used inside your unit. Use of this equipment inside your motor home may cause fire or asphyxiation.

**Winter Storage****Inside your motor home**

If your motor home is to be placed into winter storage, the following procedures are recommended.

- clean your motor home thoroughly, with particular emphasis given to appliances.
- after cleaning, prop refrigerator door open to prevent the build up of unpleasant odors. (Insert an open box of baking soda if desired).
- open a window slightly allowing sufficient air circulation to avoid the development of odors, condensation and mildew.
- to prevent sun rays from deteriorating and fading interior fabrics, cover all upholstered seats and cushions. As a further precaution, close all drapes tightly.

### Outside your motor home

- ensure that all waste water tanks have been dumped and flushed and that the entire potable water system has been properly drained.
- cover all external vents to the refrigerator, exhaust fan, furnace and air conditioner (if so equipped), with heavy plastic sheeting to prevent entry by rodents and insects.
- to improve tire life and maintain performance, put your motor home up on blocks for the winter. Also, cover all tires exposed to sunlight to prevent deterioration from ultraviolet rays.
- consult your local automotive dealer regarding steps necessary to prevent engine and chassis damage during long periods of storage in your particular region.

### Spring start up

Following storage period, reactivate your Leisure Travel Motor Home by reversing all the procedures that you performed to winterize it.

## Warranty

Provisions of this warranty shall not apply to abuse or negligence, nor to accident, nor to unauthorized repairs or alterations, nor to normal maintenance, nor to normal deterioration due to wear and exposure.

This warranty is expressly in lieu of any other expressed or implied warranty, including any implied warranty of merchantability or fitness for a particular purpose and of any other obligations or liabilities on **Leisure Travel Motor Homes** which neither assumes nor authorizes any other person to assume for it any other liability in connection with motor home manufactured by it.

### Conditions

**Leisure Travel Motor Homes** warranty is void unless the following conditions are adhered to:

1. There shall be no allowance for personal injury, property damage, lost wages, emergency road repair, towing, delivery, meals, accommodations, etc. that result from the performance

or non-performance of items covered by this warranty, however caused.

2. All defective parts replaced under warranty **MUST BE RETURNED** to Leisure Travel Motor Homes, before reimbursement will be made.



Leisure Travel Motor Homes instructions and precautions can be found as follows:

- Refrigerator - see page 8
- Furnace - see page 7
- Propane stove - see page 7
- Microwave oven - see page 9
- Rear Air conditioner (optional) - see page 8

### Owner's manual

Each recreational vehicle shall be provided with an owner's manual that shall contain the following information as a minimum:

### WARNING

LP-Gas containers shall not be placed or stored inside the vehicle. L.P. Gas containers are equipped with safety devices that relieve excessive pressure by discharging gas to the atmosphere.

### WARNING

**IT IS NOT SAFE TO USE COOKING APPLIANCES FOR COMFORT HEATING.**

Cooking appliances need fresh air for safe operation. Before operation:

- 1) Open over head vent or turn on exhaust fan and
- 2) Open window.

This warning label has been located in the cooking area to remind the user to provide an adequate supply of fresh air for combustion. Unlike homes, the amount of oxygen supply is limited due to the size of the recreational vehicle, and proper ventilation when using the cooking appliance(s) will avoid dangers of asphyxiation. It is especially important that cooking appliances not be used for comfort heating as the danger of asphyxiation is greater when the appliance is used for long periods of time,

A warning label has been located near the LP-Gas container. This label reads:

## **DO NOT FILL CONTAINER(S) TO MORE THAN 80 PERCENT OF CAPACITY**

Overfilling the LP-Gas container can result in uncontrolled gas flow, which can cause fire or explosion. A properly filled container will contain approximately 80 percent of its volume as liquid LP-Gas.

A warning that portable fuel-burning equipment, including wood and charcoal grills and stoves, shall not be used inside the recreational vehicle. The use of this equipment inside the recreational vehicle may cause fires or asphyxiation.

A warning that states not to bring or store LP-Gas containers, gasoline, or other flammable liquids inside the vehicle because a fire or explosion may result.

The following label has been placed in the vehicle near the range area:

### IF YOU SMELL GAS

- 1) Extinguish any open flames, pilot lights, and all smoking materials.
- 2) Do not touch electrical switches.
- 3) Shut off the gas supply at the tank valve(s) or gas supply connections.
- 4) Open doors and other ventilating openings.
- 5) Leave the area until odor clears.
- 6) Have the gas system checked and leakage source corrected before using again.

LP-Gas regulators must always be installed with the diaphragm vent facing downward. Regulators that are not in compartments have been equipped with a protective cover. Make sure that regulator vent faces downward and that cover is kept in place to minimize vent blockage that could result in excessive gas pressure causing fire or explosion.